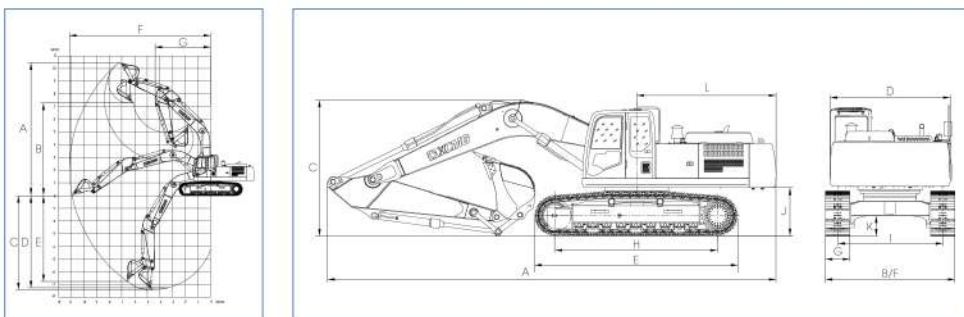


## 外形尺寸与工作范围

Appearance size and working scope



## 参数

Parameters

型号 Model	单位 Unit	参数 Parameter
操作重量 Operation weight	kg	36600
铲斗容量 Bucket capacity	m <sup>3</sup>	1.4-1.8

### 发动机 Engine

发动机型号 Model	ISUZU AA-6HK1XQP
发动机输出功率 Output power	kw/rpm 184/2000

### 主要性能 Main performance

行走速度 Traveling speed	km/h	5.4/3.2
回转速度 Rotary speed	r/min	9.7
爬坡能力 Gradeability	°	35
接地比压 Ground pressure	kPa	66.6
铲斗挖掘力 Bucket digging force	kN	242
斗杆挖掘力 Arm digging force	kN	207

### 液压系统 Hydraulic system

主泵 Main pump	/	2 plunger pumps
主泵额定流量 Rated flow of main pump	L/min	2 × 320
主安全阀压力 Main safety valve pressure	MPa	31.5/34.3

### 油类容量 Oil capacity

燃油箱容积 Fuel tank capacity	L	630
液压油箱容积 Hydraulic tank capacity	L	320

型号 Model	单位 Unit	参数 Parameter
----------	---------	--------------

### 外形尺寸 Appearance size

A 总长 Total length	mm	11386
B 总宽 Total width	mm	3190
C 总高 Total height	mm	3530
D 转台宽度 Width of platform	mm	2950
E 履带长度 Length of crawler	mm	5035
F 底盘总宽 Total width of chassis	mm	3190
G 履带宽度 Width of crawler	mm	600
H 履带轴距 Wheel base of crawler	mm	4040
I 轨距 Track gauge	mm	2590
J 配重离地间隙 Ground clearance of counterweight	mm	1197
K 最低离地间隙 Min. ground clearance	mm	500
L 尾部最小回转半径 Min. rear-end swing radius	mm	3570

### 工作范围 Working scope

A 最大挖掘高度 Max. digging height	mm	10123
B 最大卸载高度 Max. dumping height	mm	6947
C 最大挖掘深度 Max. digging depth	mm	6927
D 8 英尺水平面挖掘深度 Max. digging depth at the range of level 8feet	mm	6709
E 最大垂直挖掘深度 Max. vertical digging depth	mm	5312
F 最大挖掘半径 Max. digging radius	mm	10470
G 最小回转半径 Min. swing radius	mm	4424

### 标配 Standard configuration / 选配 Optional configuration

斗容 Bucket capacity	m <sup>3</sup>	1.6; 1.4/1.5/1.8
--------------------	----------------	------------------

本产品随技术进步不断更新改进，如有修改，恕不另行通知。

样本图片与实物不符的，以实物为准。

All the information, charts and standards in this brochure are the latest acquired upon publication.

All information shall be subject to changes without additional notices. If there is inconsistency between image and the actual product, the actual product shall govern.

印刷时间 Printing time: 2012 年 1 版 1 次印刷

**徐工集团挖掘机事业部**  
XCMG EXCAVATOR MACHINERY BUSINESS DEPARTMENT

地址: 中国江苏徐州金山桥经济开发区东环工业园28号  
Address: No.28 Donghuan Industrial Area Jinshanqiao Economic Development Zone of Xuzhou, Jiangsu, China.

代理商 Agent



统一客服热线 Customer service hotline: 400-110-9999

**XCMG**  
**徐工集团**  
徐工徐工 助您成功  
XCMG FOR YOUR SUCCESS



# XE370CA 液压挖掘机

Hydraulic Excavator

- 铲斗容量 Capacity of bucket (m<sup>3</sup>): 1.4-1.8
- 操作重量 Operation weight (kg): 36600
- 额定功率 Rated power (kw/rpm): 184/2000

**厚积薄发**  
Spur with long accumulation

**超越精典**  
Beyond the classic

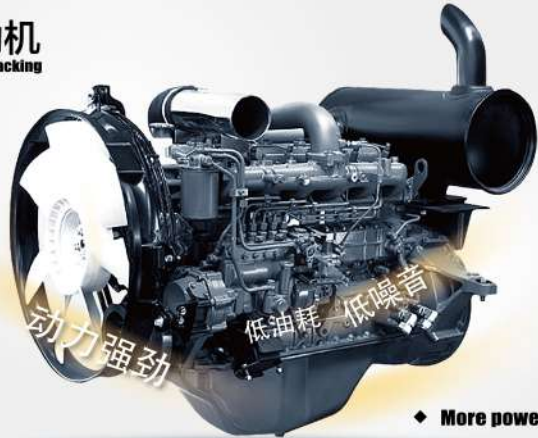
**徐工集团挖掘机事业部**  
XCMG EXCAVATOR MACHINERY BUSINESS DEPARTMENT

## 高端配置，性能卓越

High-level configuration, remarkable performance

### 原装进口发动机

Imported engine with original packing



动力强劲 低油耗 低噪音

- ◆ More powerful
- ◆ Low oil consumption, low noise

### 发动机 Engine

原装进口 ISUZU 发动机，动力强劲，满足高效作业要求，低油耗，低噪音，低排放，完全符合国际环保排放和噪音标准。

The imported Isuzu engine with original packing has strong power and can meet the requirements of high-efficient work. Also, its low oil consumption, low noise and low emission can fully meet the international environmental emissions and noise standard.



### 液压系统 Hydraulic system

采用国际先进、成熟可靠的负流量控制系统，通过双泵合流，增加多路阀提供给各动作油缸的流量分配，为机器提供强大的挖掘能力，最大限度的提高工作效率。

International advanced and reliable negative flow control system, through the double pump confluence to increase the flow distribution from multi-way valve for each action cylinder, provide a powerful digging capacity for excavator and improve work efficiency at the maximum limit.



### 智能电子控制系统

#### Intelligent electronic control system

新一代智能电子控制系统，是集智能、环保、安全于一体，实现动力、液压负荷的平衡；智能电控实现远程控制，新增记忆功能，随时记录作业过程，功率转化装置优化功率使用。

A new generation of intelligent electronic control system, with features of intelligence, environmental protection, safety, realizes the balance between power and hydraulic load; intelligent electric control realizes remote control, new memory function records working process at any time, power conversion unit optimizes the power use.

## 高品质驾驶享受

High quality driving enjoy



### 宽敞的驾驶空间 Capacious driving space

新型豪华舒适的司乘系统应用人机工程学设计，配备液压减振器、具备多方位、多级调节功能，独特的腰部支撑功能，使驾乘更加舒适，有效降低驾驶员作业疲劳。

The new luxury and comfortable cab system applied by ergonomic design, equipped with hydraulic shock absorber, has all-round, multi-level control function, the unique waist support function, makes operator feel more comfortable and effectively reduces the fatigue of the operator.

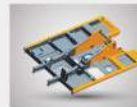
大功率冷暖空调，并设有新风道立体送风系统，配有先进的音响系统，各种操作更方便舒适，触手可及。

Great power cooling and heating air-conditioner, equipped with multiple ducts, stereo air supply system and advanced acoustic system, more convenient, comfortable and easy reach for all kinds of operations.



## 坚固高效，持久耐用

Sturdy, efficient and durable



### 结构件 Structural parts

大量采用特殊工艺及进口高强度、耐磨钢材研发制造结构件；大幅提升产品的强度和使用寿命，轻松应对各种恶劣工况。

Adopt large number of special technologies and imported high strength, wear resistant steel to research and develop and manufacture the structure; greatly improve product strength and service life, easy to deal with kinds of bad working environment.



### 紧固耐用工作装置 Sturdy and durable working device

重载强化型动臂、斗杆，可在恶劣的工况下保证强大的挖掘力。

Heavy load and strengthening type boom and arm can guarantee the powerful digging force under bad working condition.



### 铲斗 Bucket

新款平底加强铲斗，采用高强度钢和美国著名公司专利技术生产的斗齿、侧齿、护齿，耐磨性和使用寿命均提高一倍以上。

The new flat bottom strengthened bucket composed of bucket tooth, side tooth and toothholder, manufactured by high strength steel and patent technology from famous American company which improve the wear resistance and service life more than twice.



### 重载底盘

#### Heavy load chassis

标配加长加宽型重载底盘，优化箱形结构，强度高，重心低，工作稳定性更好；配合整体式重型夹轨器，防护效果更佳，使用寿命更长。

Standard extended and widened type heavy-load chassis with optimization of the box structure, high strength and low gravity guarantees better work stability; cooperate with integral heavy type rail clamping device can get better protective effect longer service life.

## 便捷的维修保养

Convenient Maintenance



### 齿轮润滑油池 Gear lubricant bath

采用嵌入式密封胶条，使灰尘、泥沙、水等不易进入润滑油池，防尘、防水效果好，通用性强且维修拆装、观察方便。

The embedded sealing strip keeps dust, sediment, water and others away from the oil bath, good effect of dustproof and waterproof, with strong commonality and easy to maintain, dismantle and observe.



触手可及的日常维修保养点，无论是燃油滤、机油滤、先导滤还是水箱均可以站在地面上直接维修保养，操作简单易行，节省成本。

Daily maintenance points are within reach, whether fuel oil filter, engine oil filter, pilot filter or water tank can be directly maintained when you stand on the ground, easy to operate and also can save cost.

## 选配部分

Optional match part

可选配破碎锤、快换装置等，拓宽机器应用领域。

Breaker and quick coupler can be equipped by choice and widen the application field for the excavator.